

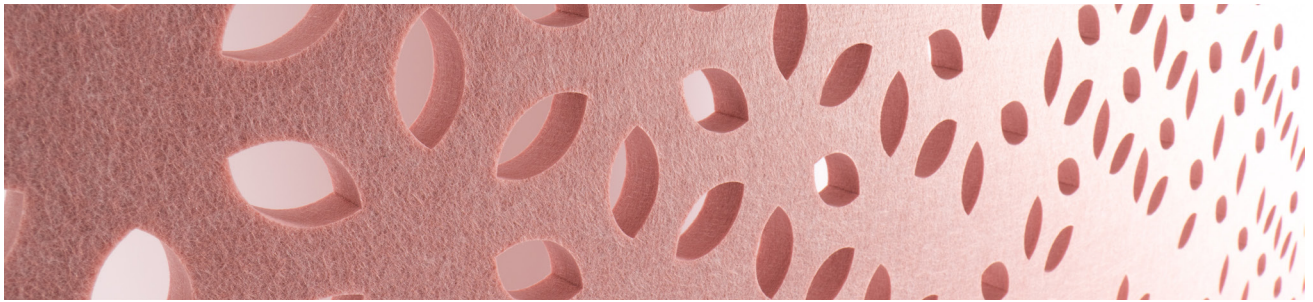
Asto

Standing Partition

743.24.10.000.00	743.24.12.000.00	743.24.14.000.00
743.24.10.000.10	743.24.12.000.10	743.24.14.000.10
743.24.10.000.11	743.24.12.000.11	743.24.14.000.11
743.24.10.000.12	743.24.12.000.12	743.24.14.000.12
743.24.10.000.13	743.24.12.000.13	743.24.14.000.13
743.24.11.000.00	743.24.13.000.00	743.24.15.000.00
743.24.11.000.10	743.24.13.000.10	743.24.15.000.10
743.24.11.000.11	743.24.13.000.11	743.24.15.000.11
743.24.11.000.12	743.24.13.000.12	743.24.15.000.12
743.24.11.000.13	743.24.13.000.13	743.24.15.000.13

Asto Standing Partition

General Information



Data

Applicable article numbers

743.24.10.000.00	743.24.11.000.10	743.24.12.000.11	743.24.13.000.12	743.24.14.000.13
743.24.10.000.10	743.24.11.000.11	743.24.12.000.12	743.24.13.000.13	743.24.15.000.00
743.24.10.000.11	743.24.11.000.12	743.24.12.000.13	743.24.14.000.00	743.24.15.000.10
743.24.10.000.12	743.24.11.000.13	743.24.13.000.00	743.24.14.000.10	743.24.15.000.11
743.24.10.000.13	743.24.12.000.00	743.24.13.000.10	743.24.14.000.11	743.24.15.000.12
743.24.11.000.00	743.24.12.000.10	743.24.13.000.11	743.24.14.000.12	743.24.15.000.13

Dimensions¹

Height	1215 mm	47.83"	(Including the centerbase)
Width	1600 mm	63"	
Panel thickness	24 mm	0.94"	

Material

PET Panel	100% PET (60% post-consumer) in 32 colors
Centerbase	Steel (powder coated black or white)



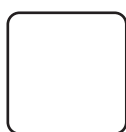
Extended document available

Weight²

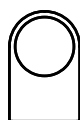
PET Panel	4kg/m2 (±10%)	0.82 lbs/ft2 (±10%)
Centerbase	10.60 kg	23.37 lbs

Included

Acoustic panel



Centerbase



Assembly guide



Warranty
2 years³



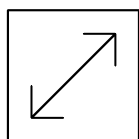
1 - all dimensions are nominal 2 - all weight values are nominal 3 - Impact Acoustic warranty terms apply

Asto Standing Partition

Specification Guide

Ensure you make the perfect choice by choosing our solutions for your next project. Explore our range of standard solutions or contact us directly for a more in-depth discussion of personalised customized options.

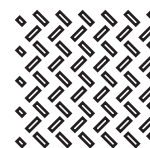
1 Specify your product:



Size



Color



Pattern

2 Article numbers:

Item	Material	Size option	Color	Pattern
743	24mm	Choose size	Choose color	Choose pattern

Example: 743.24.12.662.10

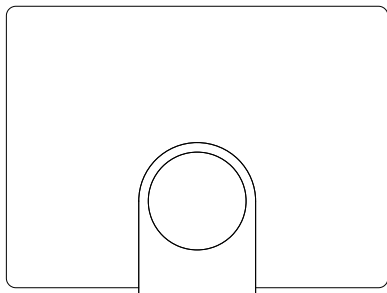
Standing Partition - Asto, 24mm, 1600x1800 662 - Poster Red - Web Pattern

Asto Standing Partition

Available sizes

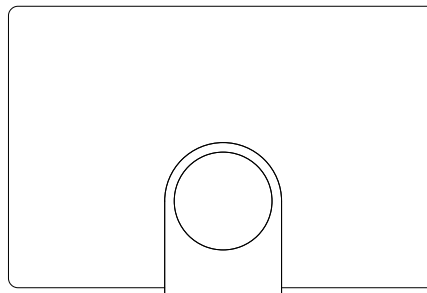
Please note that all sizes are available in four perforated and one plain version.

743.24.10.000.XX - Asto Standing Partition



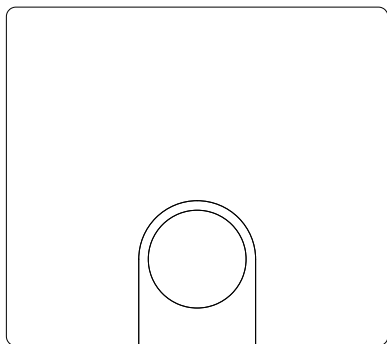
1600x1180
(63.00"x46.46")

743.24.13.000.XX - Asto Standing Partition



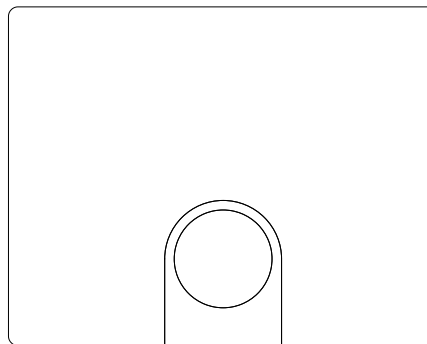
1800x1180
(70.87"x46.46")

743.24.11.000.XX - Asto Standing Partition



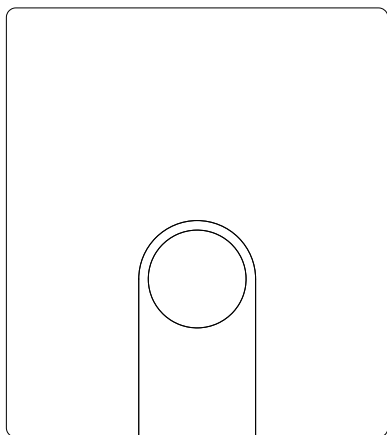
1600x1420
(63.00"x55.90")

743.24.14.000.XX - Asto Standing Partition



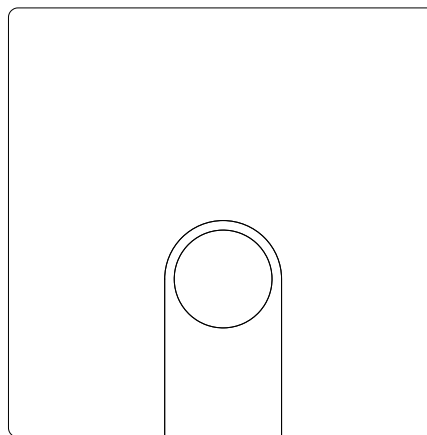
1800x1420
(70.87"x55.90")

743.24.12.000.XX - Asto Standing Partition



1600x1800
(63.00"x70.87")

743.24.15.000.XX - Asto Standing Partition



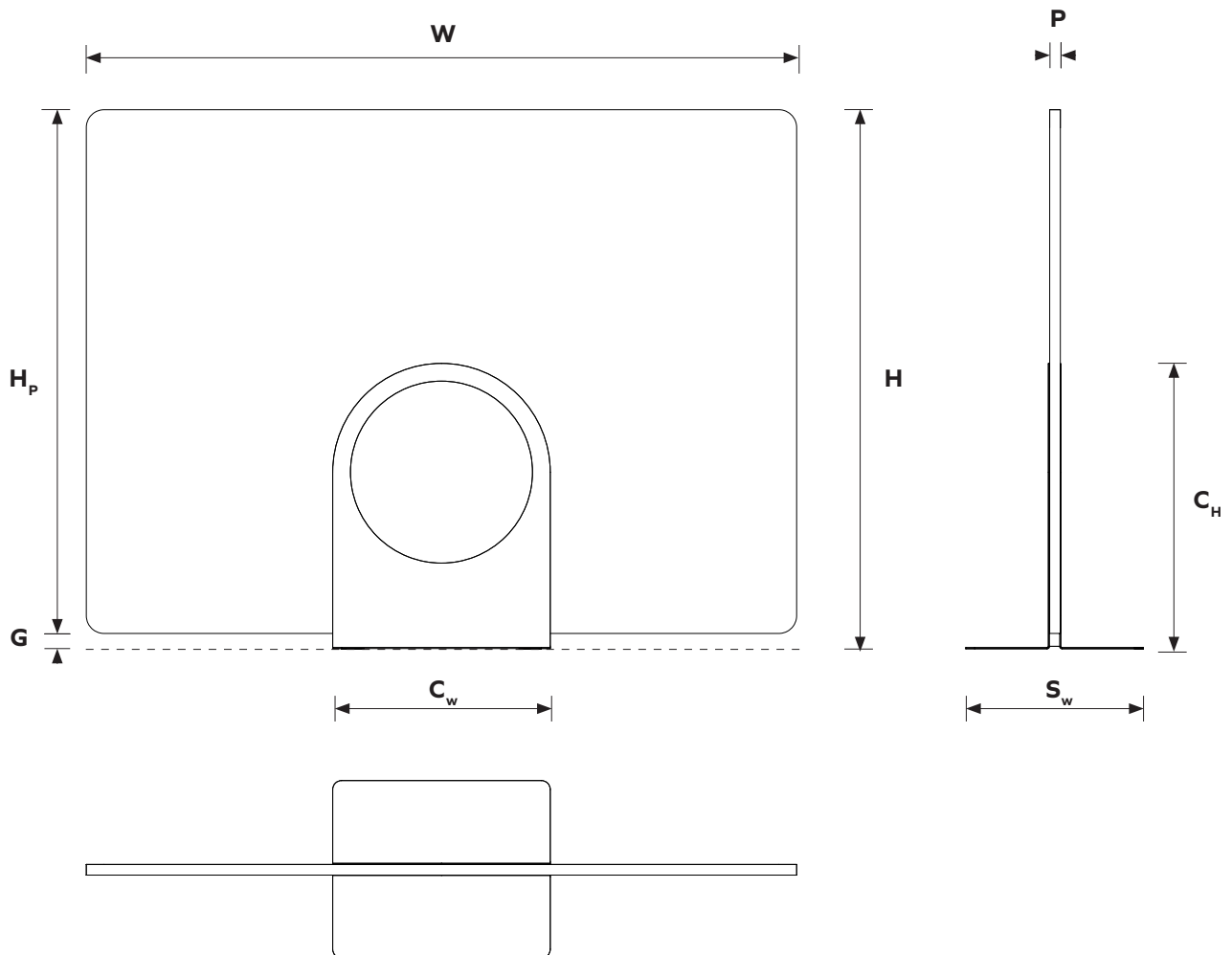
1800x1800
(70.87"x70.87")

Asto 1600 x 1180

Custom solutions available

Geometry Information

Asto Standing Partition Plain 743.24.10.000.00



Dimensions table¹

W	Total width	1600mm	63.00"
H	Total height	1215mm	47.83"
H_p	PET Panel height	1180mm	46.46"
C_w	Centerbase width	490mm	19.29"
C_h	Centerbase height	643mm	23.32"
G	Gap from the ground	35mm	1.38"

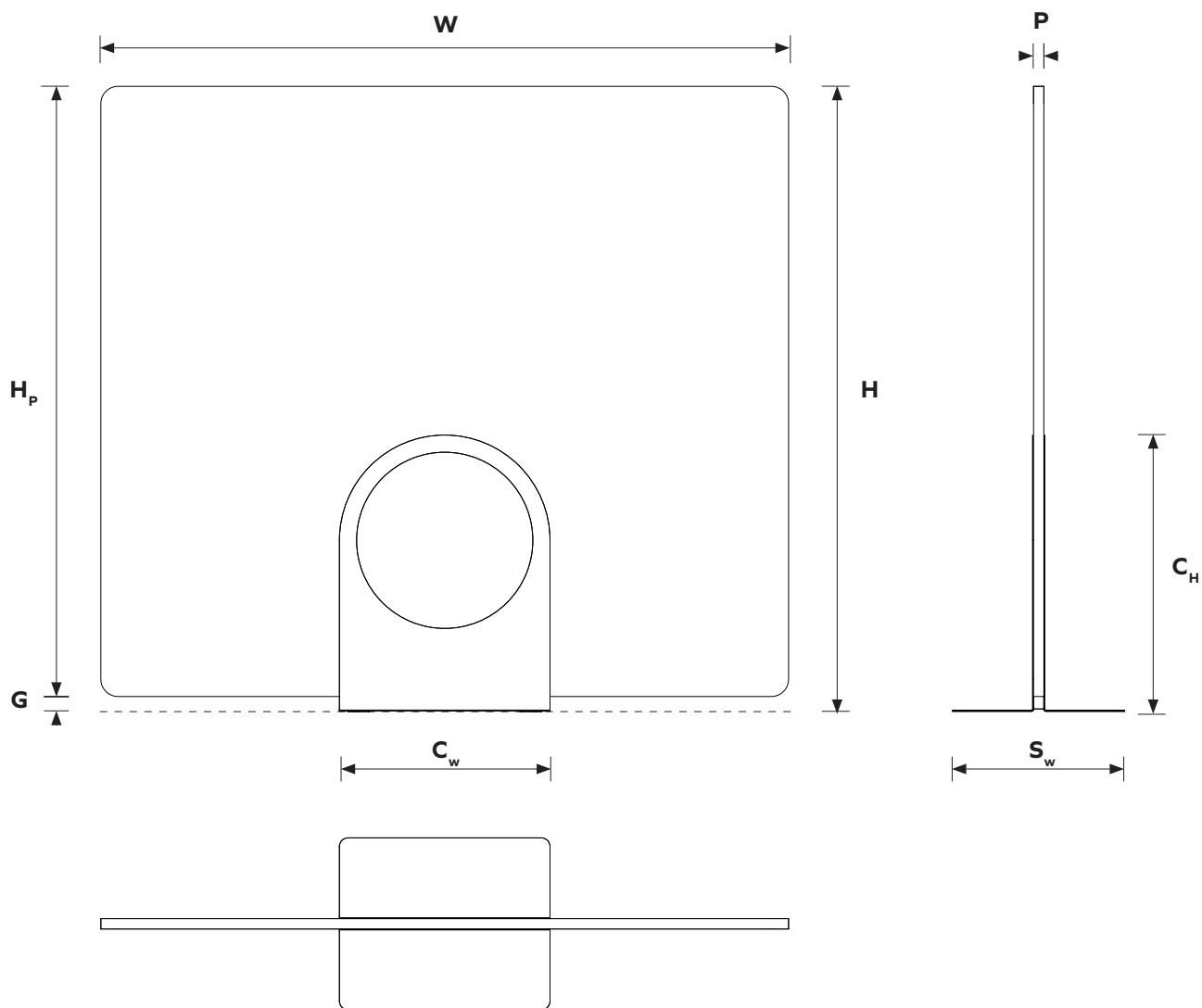
¹ - all dimentions are nominal

Asto 1600 x 1420

Custom solutions available

Geometry Information

Asto Standing Partition Plain 743.24.11.000.00



Dimensions table¹

W	Total width	1600mm	63.00"
H	Total height	1455mm	57.28"
H_p	PET Panel height	1420mm	55.90"
C_w	Centerbase width	490mm	19.29"
C_h	Centerbase height	643mm	23.32"
G	Gap from the ground	35mm	1.38"

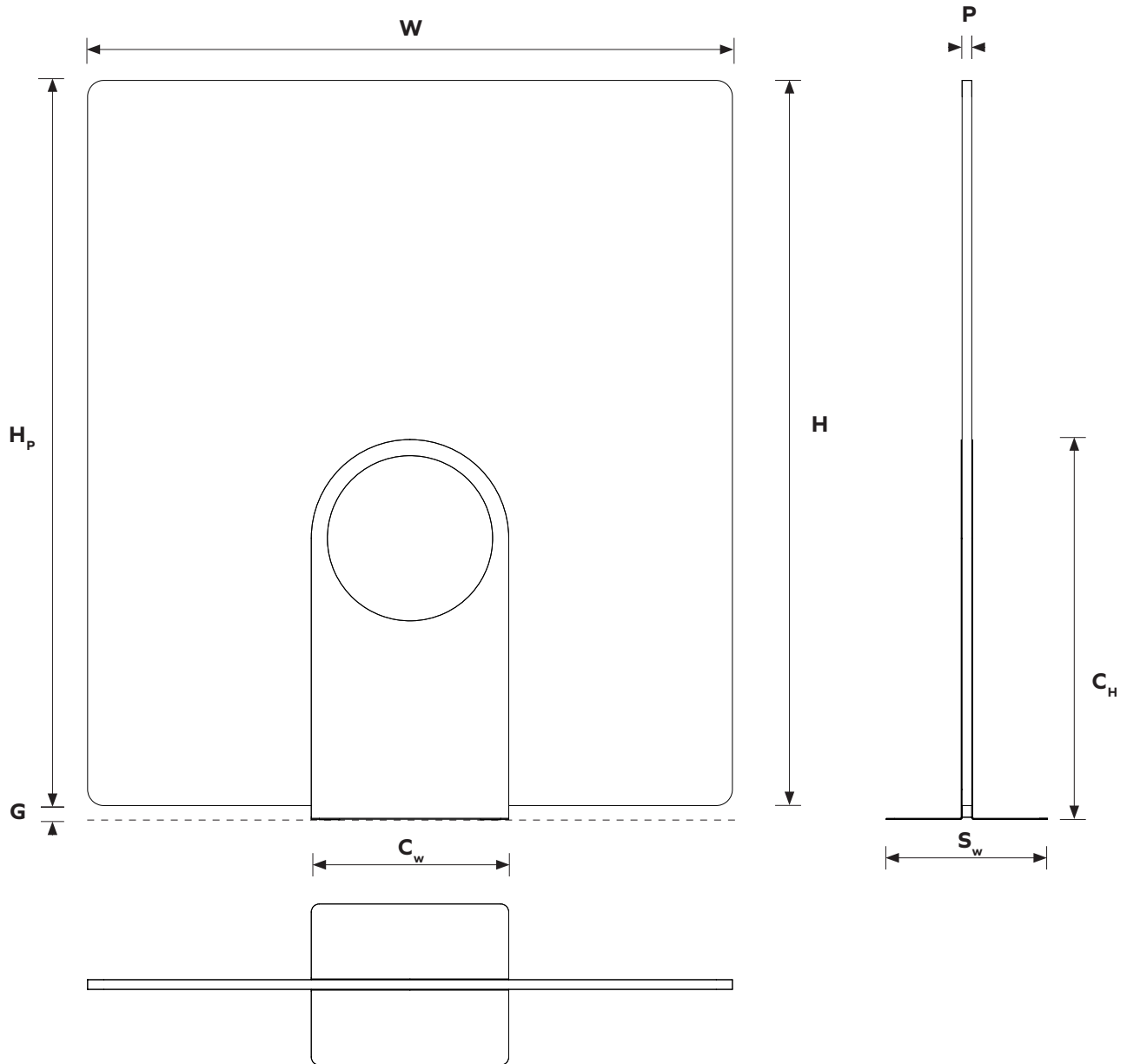
¹ - all dimentions are nominal

Asto 1600 x 1800

Custom solutions available

Geometry Information

Asto Standing Partition Plain 743.24.12.000.00



Dimensions table¹

W	Total width	1600mm	63.00"
H	Total height	1835mm	72.24"
H_p	PET Panel height	1800mm	70.87"
C_w	Centerbase width	490mm	19.29"
C_H	Centerbase height	943mm	37.12"
G	Gap from the ground	35mm	1.38"

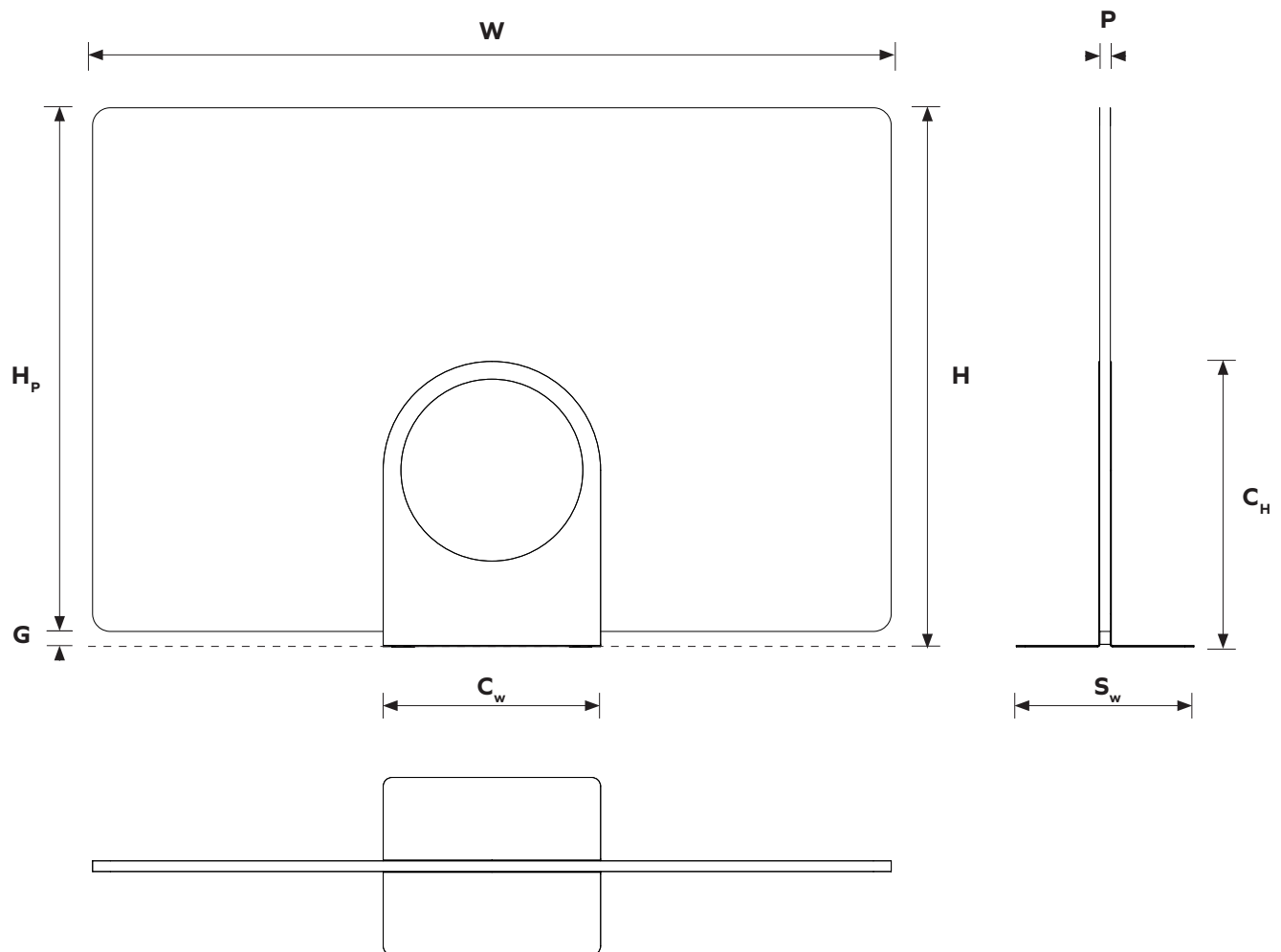
1 - all dimensions are nominal

Asto 1800 x 1180

Custom solutions available

Geometry Information

Asto Standing Partition Plain 743.24.13.000.00



Dimensions table¹

W	Total width	1800mm	70.87"
H	Total height	1215mm	47.83"
H_p	PET Panel height	1180mm	46.46"
C_w	Centerbase width	490mm	19.29"
C_h	Centerbase height	643mm	23.32"
G	Gap from the ground	35mm	1.38"

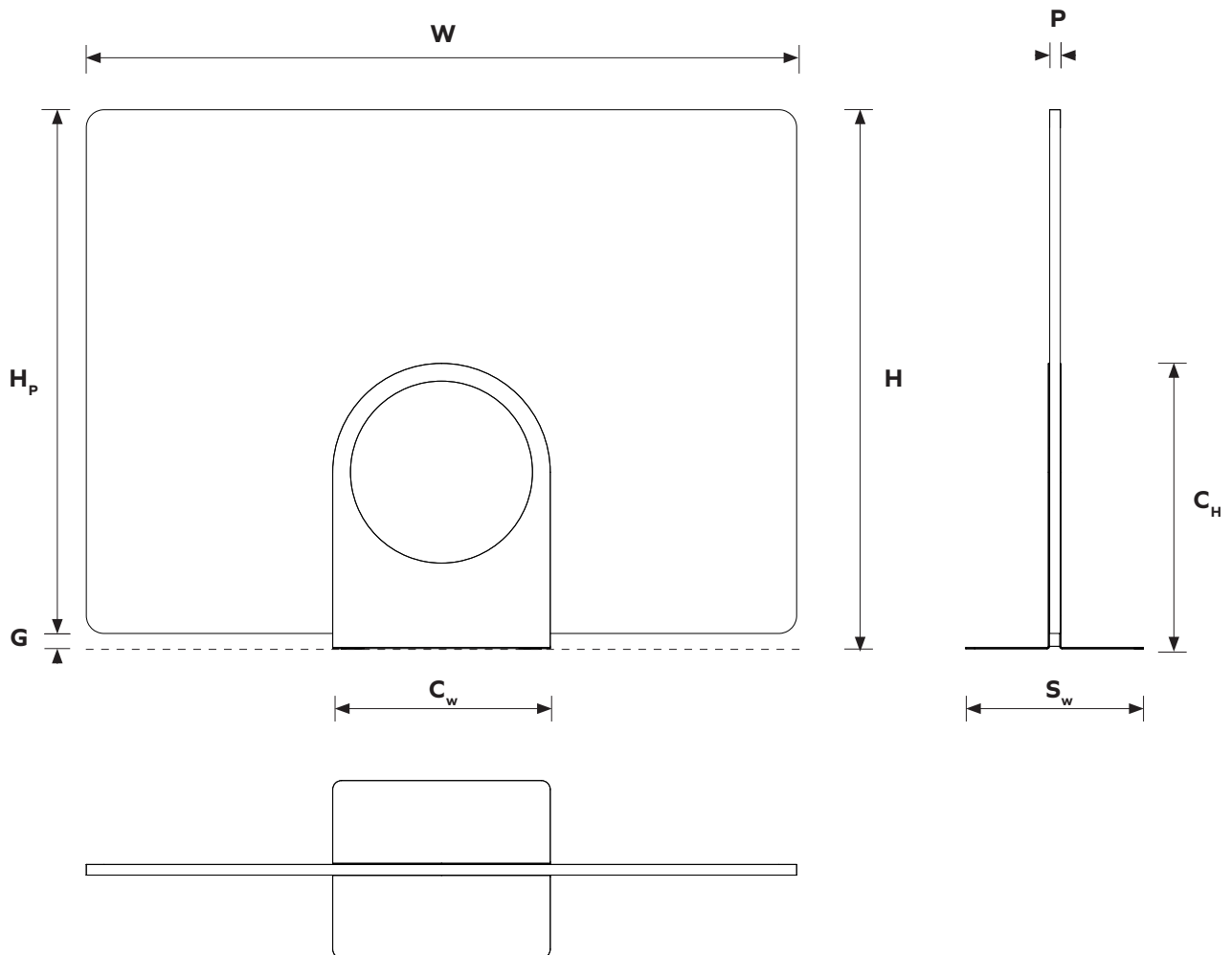
¹ - all dimentions are nominal

Asto 1800 x 1420

Custom solutions available

Geometry Information

Asto Standing Partition Plain 743.24.14.000.00



Dimensions table¹

W	Total width	1800mm	70.87"
H	Total height	1455mm	55.91"
H_p	PET Panel height	1420mm	57.28"
C_w	Centerbase width	490mm	19.29"
C_h	Centerbase height	643mm	23.32"
G	Gap from the ground	35mm	1.38"

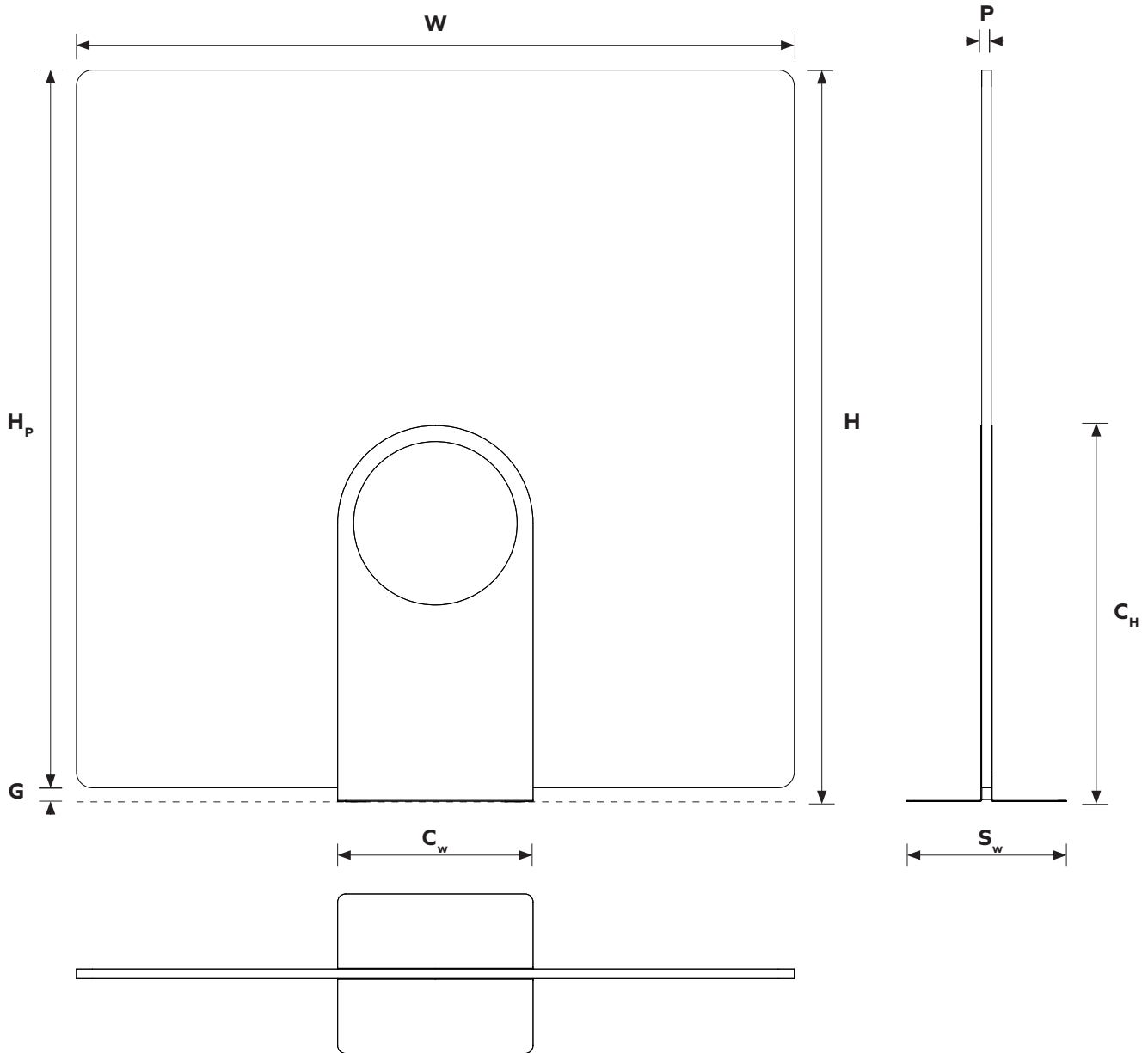
¹ - all dimentions are nominal

Asto 1800 x 1800

Custom solutions available

Geometry Information

Asto Standing Partition Plain 743.24.15.000.00



Dimensions table¹

W	Total width	1800mm	70.87"
H	Total height	1835mm	72.24"
H_p	PET Panel height	1800mm	70.87"
C_w	Centerbase width	490mm	19.29"
C_h	Centerbase height	943mm	37.12"
G	Gap from the ground	35mm	1.38"

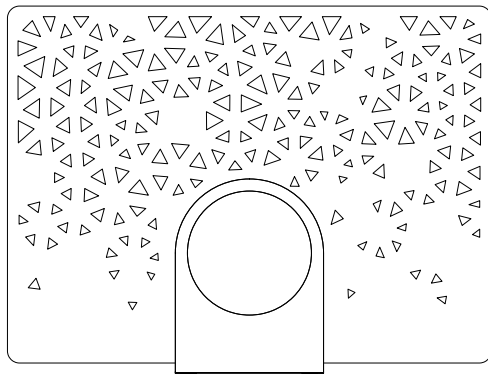
1 - all dimentions are nominal

Asto Standing Partition

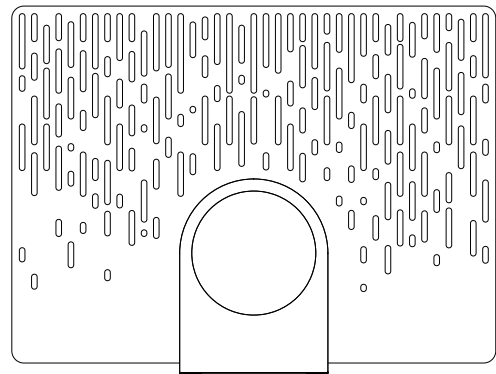
Custom solutions available

Available perforations

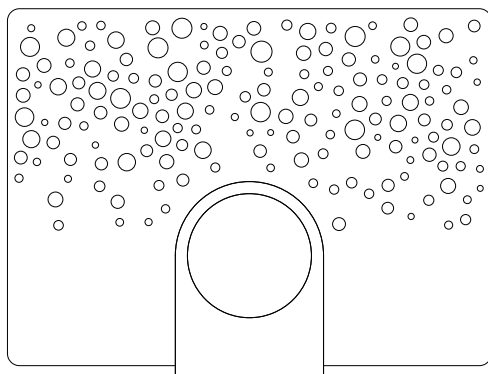
Please note that all patterns are available in six sizes.



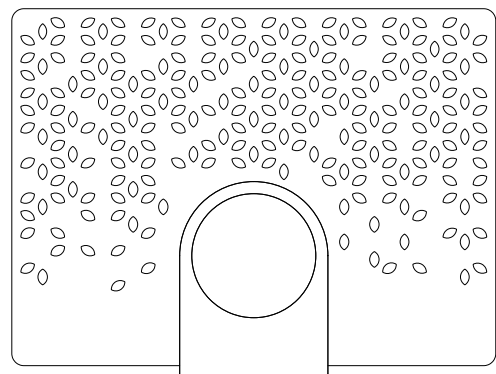
743.24.10.000.10 - Asto Standing Partition Web



743.24.10.000.11 - Asto Standing Partition Matrix



743.24.10.000.12 - Asto Standing Partition Bubbles



743.24.10.000.13 - Asto Standing Partition Crose

Asto Standing Partition

Assembly overview

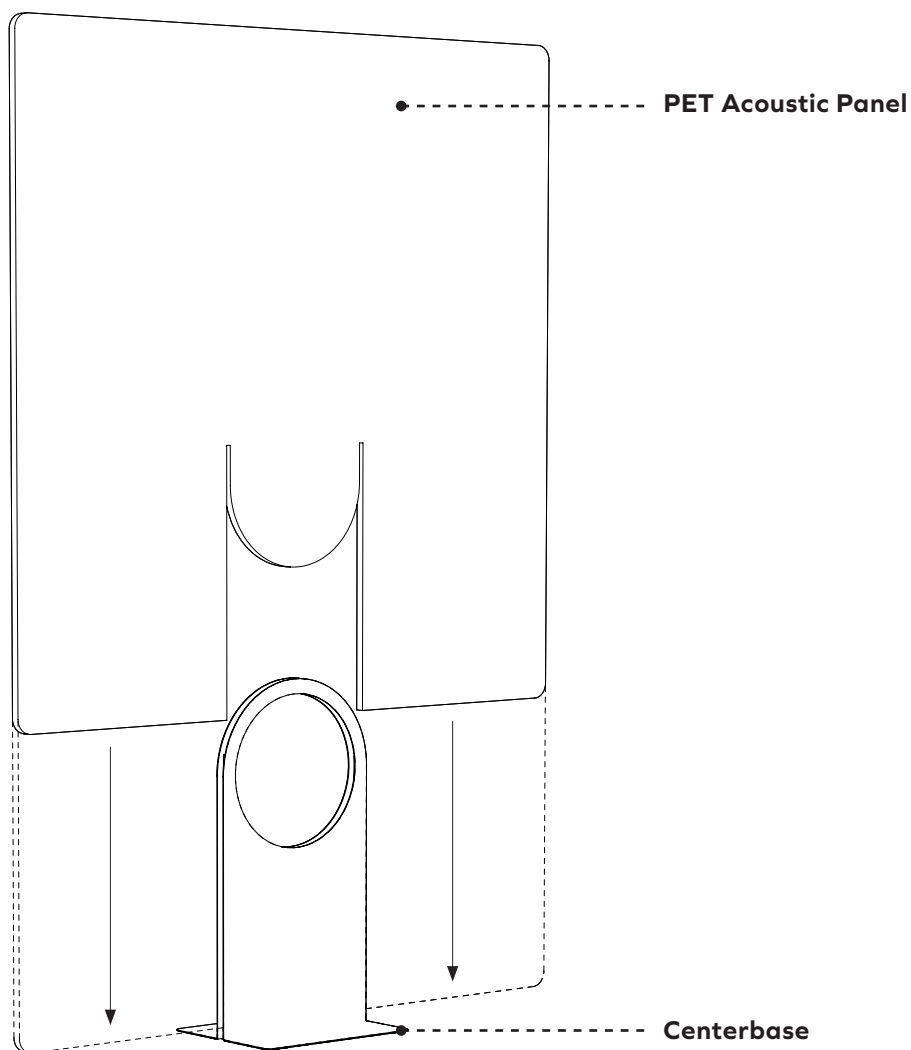
1 Centerbase

Place the centerbase on even horizontal surface.

2 PET Acoustic Panel

Slide the acoustic panel into the centerbase as much as possible.

(there should be a gap of around 35mm 1.4" between the ground and the bottom edge of the panel)



ARCHISONIC®

Colors

 Material brochure available



Name	Snow White	Milk	Cloud	Smoke	Ground	Charcoal	Slate	Raven
Color Code	500	404	103	442	108	542	444	550
NCS Code	S 0300-N	S 0502-Y	S 1002-B	S 3005-R80B	S 5005-Y20R	S 7502-B	S 4500-N	S 8500-N



Name	Nordic Pine	Grove	Moss	Spearmint	Ice Blue	Succulent	Deep Sea	Marine Blue
Color Code	311	317	439	706	304	712	918	864
NCS Code	S 5030-G10Y	S 7020-G30Y	S 2040-G40Y	S 1010-B90G	S 0510-B	S 3020-B30G	S 5020-R90B	S 4050-R70B



Name	Linen	Shell Pink	Jute	Warm Stone	Terracotta	Soft Coral	Honeycomb	Sunshine
Color Code	107	102	920	105	239	516	139	846
NCS Code	S 1505-Y30R	S 0510-R30B	S 3010-Y30R	S 3010-Y50R	S 4040-Y70R	S 2020-Y90R	S 2050-Y20R	S 1040-Y10R



Name	Garnet	Hot Pink	Poster Red	Electric Orange	Winter Sky	Pacific Ocean	Midnight	Grape
Color Code	724	140	662	464	311	432	810	540
NCS Code	S 5040-R10B	S 2060-R20B	S 1080-R	S 0580-Y70R	S 5030-G10Y	S 3040-B	S 7020-R70B	S 5040-R40B

These NCS codes are the closest visual match available and may not be exact to blended fibres.

ARCHISONIC®

Colors

Experience our ARCHISONIC® Felt material with a stunning selection of 32 colors across 8 distinct families, thoughtfully curated by *Colour Hive* in London. Effortlessly combine colors harmoniously to suit your preferences. Discover more in our Materials brochure and order your free sample box today.

Color fastness

Class 6

ISO 105-B02:A1

Order a free sample box



ARCHISONIC® Felt

Material Specification

Product Name	Archisonic® Felt	
Content	100% PET (60% certified post-consumer content)	
Thickness¹	12mm (0.47")	24mm (0.94")
Max. Size	1200x2800mm (47"x110")	1800x2400mm (70"x94")
Acoustic²	ASTM: NRC=0.6 ISO: αw=0.65	ASTM: NRC=0.9 ISO: αw=0.95
Density¹	2400 g/m ² (0.49 lbs/ sqft)	4000 g/m ² (0.82 lbs/sqft)
Color Fastness	Class 6 ISO 105-B02:A1	
Color	32 colors (see Archisonic® Felt Color page for more information)	
Maintenance	For daily cleaning we recommend alcohol solution (75%), e.g. Pantasept. In case of contamination by dust or fluff, use feather duster or a regular vacuum cleaner. For heavy dirt, treat the material with hydrogen peroxide.	
Lead time³	21 days	
Fire Rating	DIN EN 13501-1: B-s1, d0	ASTM E84 Class A
VOC Emission	28 Days French Regulation A+ ASTM E84 Pass Bream® (International, UK, NL, SE, NOR) Exemplary CDPH (CDPH/EHLB/Standard Method V1.2) Pass	
Certifications	Declare label, Cradle to Cradle, UL Environmental Product Declaration, Member of US Green Building Council, Ecobau 1st Priority, Climmate-KIC, VOC emissions in LEED EQ credit (low-emitting products), SCS Recycled Content	
Durability	Contract	

1 - all values are nominal 2 - measured with 300mm air cavity 3 - depending on the location and type of product



Climate-KIC is supported by the EIT, a body of the European Union

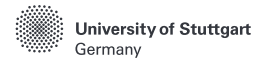


Declare.



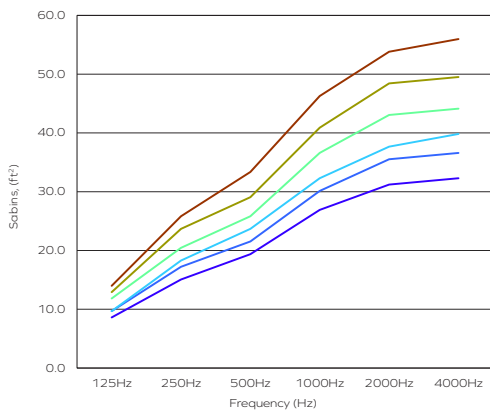
Asto Standing Division

Acoustic Performance



Testing Standards

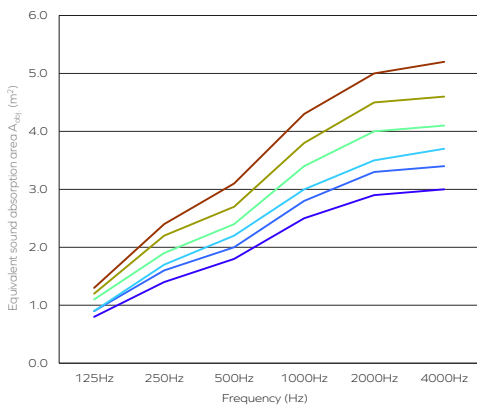
ISO 354:2003	Acoustics — Measurement of sound absorption in a reverberation room
ISO 11654:1997	Acoustics — Sound absorbers for use in buildings — Rating of sound absorption
ISO 20189:2018	Acoustics — Screens, furniture and single objects intended for interior use — Rating of sound absorption and sound reduction of elements based on laboratory measurements
ASTM C423-17	Standard Test Method for Sound Absorption and Sound Absorption Coefficients by the Reverberation Room Method
ASTM E795-16	Standard Practices for Mounting Test Specimens During Sound Absorption Tests



Acoustic Performance - ASTM Sabins, ft²

Frequency (Hz)	125	250	500	1000	2000	4000
24mm Asto 1600mm x 1180mm	8.61	15.07	19.38	26.91	31.22	32.29
24mm Asto 1800mm x 1180mm	9.69	17.22	21.53	30.14	35.52	36.60
24mm Asto 1600mm x 1420mm	9.69	18.30	23.68	32.29	37.67	39.83
24mm Asto 1800mm x 1420mm	11.84	20.45	25.83	36.60	43.06	44.13
24mm Asto 1600mm x 1800mm	12.92	23.68	29.06	40.90	48.44	49.51
24mm Asto 1800mm x 1800mm	13.99	25.83	33.37	46.28	53.82	55.97

The graph represents the Sabins (ft²) in the third octave band center frequencies. Please note this data refers only to the plain option. Acoustic performance of the perforated panels is available upon demand.



Acoustic Performance - ISO A_{obj}, m²

Frequency (Hz)	125	250	500	1000	2000	4000
24mm Asto 1600mm x 1180mm	0.8	1.4	1.8	2.5	2.9	3.0
24mm Asto 1800mm x 1180mm	0.9	1.6	2.0	2.8	3.3	3.4
24mm Asto 1600mm x 1420mm	0.9	1.7	2.2	3.0	3.5	3.7
24mm Asto 1800mm x 1420mm	1.1	1.9	2.4	3.4	4.0	4.1
24mm Asto 1600mm x 1800mm	1.2	2.2	2.7	3.8	4.5	4.6
24mm Asto 1800mm x 1800mm	1.3	2.4	3.1	4.3	5.0	5.2

The graph represents the equivalent sound absorption per object (A_{obj}) in the third octave band center frequencies. Please note this data refers only to the plain option. Acoustic performance of the perforated panels is available upon demand.

- 24mm Asto 1600mm x 1180mm
- 24mm Asto 1800mm x 1180mm
- 24mm Asto 1600mm x 1420mm
- 24mm Asto 1800mm x 1420mm
- 24mm Asto 1600mm x 1800mm
- 24mm Asto 1800mm x 1800mm

Acoustic Test Results

	α _w	SAA	NRC
24mm Wall Panel 1800x2400mm (Plain)	0.55 (H)	0.57	0.55
24mm Wall Panel 1800x2400mm (Perforated pattern)	0.45 (H)	0.47	0.45
12mm Wall Panel 1200x2800mm (Plain)	0.4 (H)	0.39	0.40
12mm Wall Panel 1200x2800mm (Perforated pattern)	0.35 (H)	0.32	0.35

Measurement used Pink Noise as excitation signal in a reverberant room.

Asto Standing Partition

Inspirations



Asto Standing Partition

Additional Information

Online Resources

A variety of resources are available online for all of our products. Please visit the product's page for more information.



CAD files



Spec sheets and
Installation Guide



Color families



Instruction
videos



Associated
products specs.

Ordering Process

Our experienced team of Project Consultants will guide and support you throughout the order process. We fulfill the majority of our orders in as little as 21 days¹ from your first point of contact, allowing you to focus on what truly matters to you.



Contact our
consultant

Quote¹

48 h



Order Confirmation

Production¹

2 - 3 weeks



Dispatch

Transit

location based



Delivery

Contact Us

Ready to make an impact? We are just an email or call away to discuss your project and answer any question.



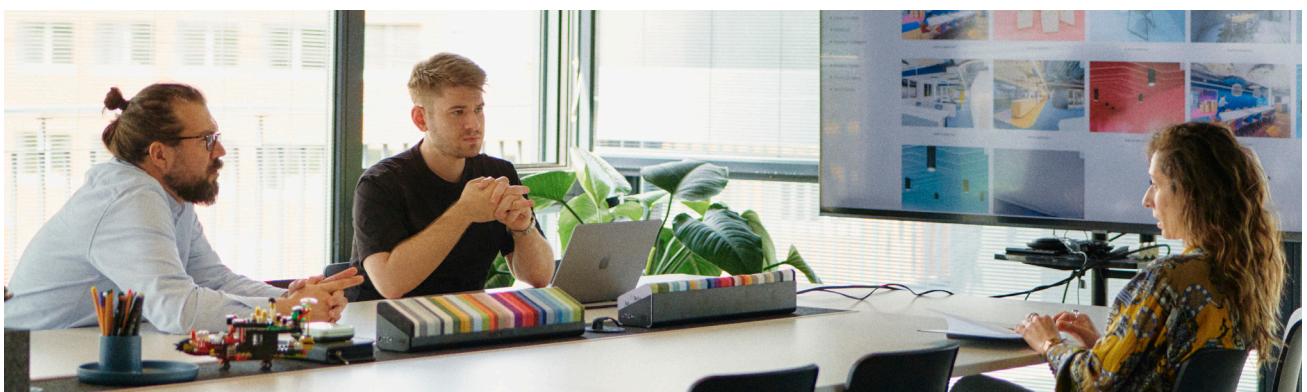
+41 41 566 55 55



connect@impactacoustic.com



Online form



¹ - Quote and Production times may vary.

IMPACT ACOUSTIC®
Standing Partition rev.01 - 11.01.24

(Switzerland)
(USA)
(Philippines)

connect@impactacoustic.com
usa@impactacoustic.com
philippines@impactacoustic.com

(+41) 41 566 55 55
(+1) 646 918 1581
(+63) 285 80 02 50

#WeMakeAnImpact

**#We
Make An
Impact**

connect@impactacoustic.com | www.impactacoustic.com